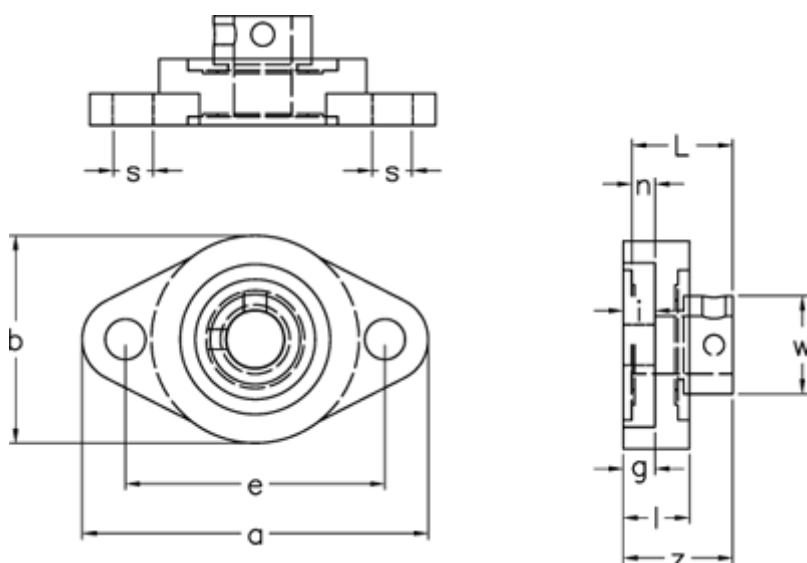


Article number: 5425059007

Description: 2 hole Flange Unit UFL007 EC for shaft  $\varnothing 35\text{mm}$   
Housing alu, bearing steel, extra small

## Measures



a	= 122	l	= 20.0
b	= 80	L	= 29.5
Bearing	= U007	Nominal drive	= 7.0
Bolt size	= M10	s	= 13
e	= 95	w	= 48
g	= 10.0	Weight	= 0.50
Housing	= FL07-8	z	= 32.5
i	= 10.0		